

Elite 320

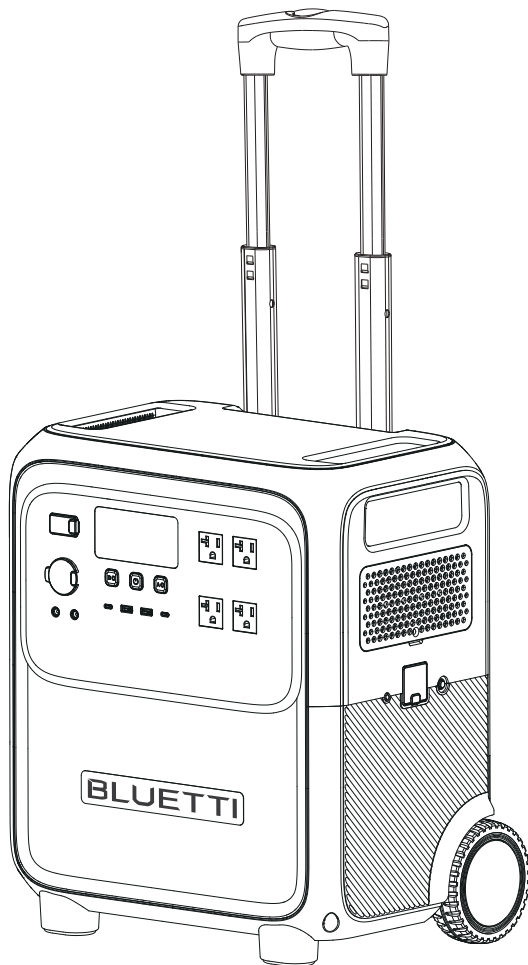
Portable Power Station

User Manual v1.0

Important Instructions

- For optimal performance, update your unit to the latest firmware before first use.
- See the appendix "Update Firmware via BLUETTI App" for guidance.
- Read and understand this manual before use and keep it handy for future reference.





Tips

1. Fully charge the unit before first use.
2. Do not use solar panels with an open circuit voltage higher than 60 V. The solar input voltage range for the unit is 12 V-60 V.
3. If the unit's SoC falls below 5%, please recharge the unit in time. If the SoC drops to 0, power off the unit and charge it for at least 30 minutes before restarting.
4. This unit is for off-grid use only. Do not connect the unit's AC output to the grid.
5. If not used for more than 3 months, charge the unit to 40%-60% SoC and store it with the power off.
6. For optimum battery life, discharge and charge the unit every 3 months.

Legal Information

Notice

BLUETTI's products and services are subject to the terms and conditions agreed upon during purchase. Some aspects described in this manual may not be available under your purchase contract. Unless otherwise specified in the contract, BLUETTI makes no express or implied representations or warranties regarding the contents of this manual.

The contents of this manual are subject to change without notice. Please obtain the latest version from BLUETTI official website.

If you have any questions or concerns about this manual, please contact BLUETTI support for further assistance.

Contents



1. Safety Information	05
2. Packing List	08
3. Get to Know Your Elite 320	09
3.1 Overview	09
3.2 LCD Display	10
4. Use Your Elite 320	11
4.1 Power On/Off	11
4.2 Charging Options	12
4.3 Power Your Devices	14
5. Configure Your Elite 320	15
5.1 Settings Mode	15
5.2 AC Charging Mode	16
5.3 Power Lifting Mode	16
5.4 ECO Mode	16
6. View Device Information	17
7. UPS Feature	17
8. Grid Self-Adaption Mode	20
9. Maintenance and Care	21
10. System Switch Recovery	21
11. Specifications	22
12. Troubleshooting & FAQs	23
Appendix	24
Compliance	27

1. Safety Information

INSTRUCTIONS PERTAINING TO RISK OF FIRE, ELECTRIC SHOCK, OR INJURY TO PERSONS

WARNING - When using the product, basic precautions should always be followed, including the following:

- Read all the instructions before using the product.
- Handle the product with care, avoiding drops, violent impacts, or tilting.
- To reduce the risk of injury, close supervision is necessary when the product is used near children.
- Do not put fingers or foreign objects into the product's ports.
- Use of an attachment not recommended or sold by the manufacturer may result in a risk of fire, electric shock, or injury to persons.
- Do not move the product during operation to avoid poor connections.
- Do not expose the battery to high temperatures, as this may cause an explosion or leakage of flammable liquids or gases.
- Do not use the product in the rain or high humidity environments.
- Do not use a battery pack or appliance that is damaged or modified. Damaged or modified batteries may exhibit unpredictable behavior resulting in fire, explosion, or risk of injury.
- Handle the product with caution in low air pressure environments to prevent explosions or leaks.
- Charge the product in a well-ventilated area.
- Under abusive conditions, liquid may be ejected from the product's battery; avoid contact. If contact accidentally occurs, flush with water. If liquid contacts eyes, additionally seek medical help. Battery liquid may cause irritation or burns.
- In case of fire, use a dry powder fire extinguisher appropriate for the product.
- Never dispose of the product's battery in fire, hot ovens, or by cutting it.
- Do not operate the product with a damaged cord, plug, or output cable.
- To reduce the risk of damage to the electric plug and cord, pull the plug rather than the cord when disconnecting the product.
- Do not disassemble the product; take it to a qualified service person if service or repair is required. Incorrect reassembly may result in a risk of fire or electric shock.
- Unplug the product before any servicing to prevent electric shock.
- **WARNING - RISK OF EXPLOSIVE GASES.** Follow these instructions and those published by manufacturer of any equipment you intend to use in vicinity of the product to reduce risk of battery explosion.

- **WARNING - RISK OF ELECTRIC SHOCK.** Never use the product to power tools to cut or access live parts, wirings or materials containing them, such as building walls.
- Have servicing performed by a qualified repair person using only identical replacement parts. This will ensure that the safety of the product is maintained.
-   The symbols on the unit and its accessories are intended to remind you to read the instructions in the literature accompanying the product before operation and maintenance.
- The socket-outlet should be installed near the product and easily accessible for safety purposes.
- **ATTENTION:** The output from the USB-C, DC5521, and cigarette lighter ports is classified as PS3 under the IEC 62368-1 standard. To reduce the risk of fire, it is recommended to use protective measures, such as a fire enclosure, for any connected equipment or accessories.
- Use the telescopic handle for transport only. Retract it fully after use.

Attention



Not permitted on aircraft.

Disposal and Recycling

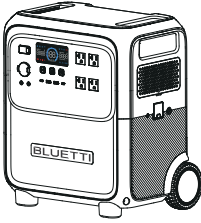
1. Take old electronic components and batteries to designated recycling centers. This prevents improper disposal and supports material recovery.
2. If possible, fully discharge the batteries and then place them in designated battery recycling boxes. The batteries in this product contain hazardous chemicals. Do not dispose of them with regular household waste. Please follow local laws and regulations for proper battery disposal.
3. If a battery cannot fully discharge due to product malfunction, do not place it in the battery recycling box. Instead, contact a professional battery recycling organization for safe handling.

Grounding Instructions (For AC charging only)

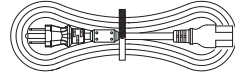
- This product must be grounded when connected to the grid. If it should malfunction or break down, grounding provides a path of least resistance for electric current to reduce the risk of electric shock.
- The product is equipped with an AC charging cable that has a grounding conductor and plug. The plug must be plugged into an appropriate outlet that is properly installed and grounded in accordance with all local codes and ordinances.
- **WARNING** - Improper connection of the grounding conductor can result in a risk of electric shock. Check with a qualified electrician if you're in doubt as to whether the product is properly grounded. Don't modify the plug provided with the product – if it'll not fit the outlet, have a proper outlet installed by a qualified electrician.

SAVE THESE INSTRUCTIONS

2. Packing List



Elite 320
Portable Power Station



AC Charging Cable



Grounding Screw
(M5 × 10 mm)

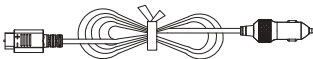


Documents

The following accessories* are not included.

You can purchase optional accessories at <https://www.bluettipower.com>

*Images are for reference only.



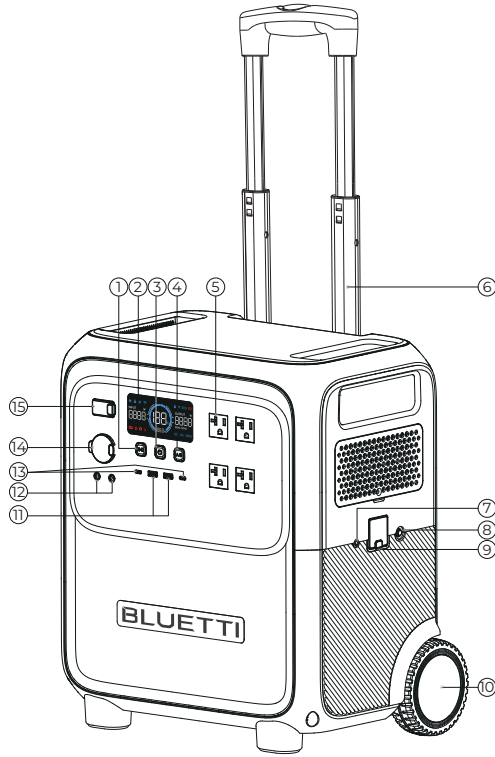
Car Charging Cable



Solar Charging Cable
(MC4 to XT60)

3. Get to Know Your Elite 320

3.1 Overview



① DC Power Button

② LCD Display

③ Power Button

④ AC Power Button

⑤ AC Outlet

⑥ Telescopic Handle

⑦ Grounding Terminal*

⑧ Circuit Breaker

⑨ AC Input

⑩ Wheel

⑪ USB-A Ports

⑫ DC5521 Ports

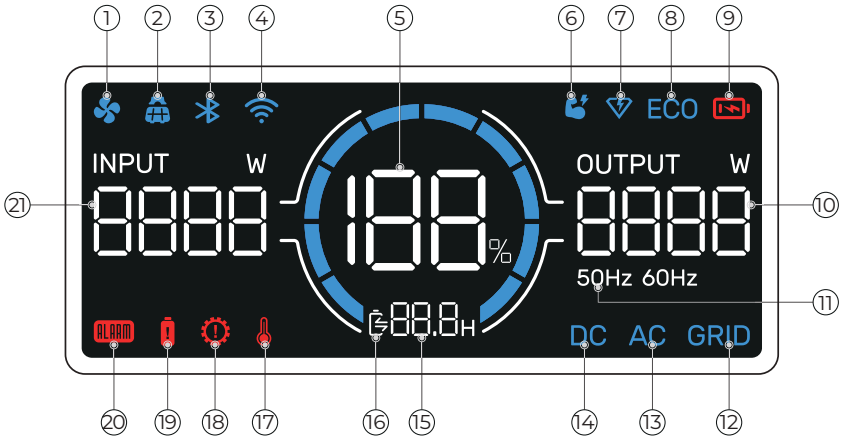
⑬ USB-C Ports

⑭ Cigarette Lighter Port

⑮ DC Input

* Used for grounding when powering certain equipment. For assistance, contact us or seek guidance from the appendix "Grounding Guidelines".

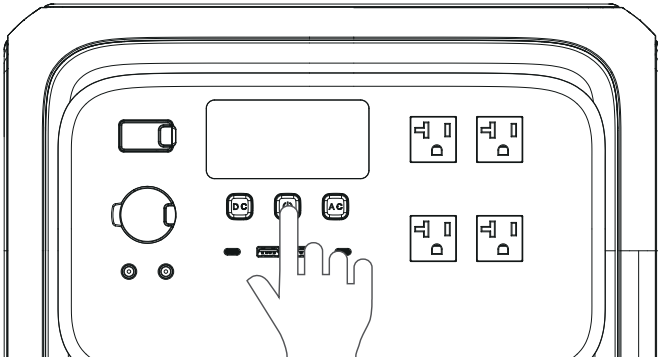
3.2 LCD Display



- | | | |
|-------------------------|-----------------------|------------------------------|
| ① Fan | ⑧ ECO Mode | ⑮ Remaining Discharging Time |
| ② DC Input | ⑨ Low Battery | ⑯ Battery Status |
| ③ Bluetooth Connection | ⑩ Output Power | ⑰ Temp Alert |
| ④ Wi-Fi Connection | ⑪ AC Output Frequency | ⑱ Overload |
| ⑤ State of Charge (SoC) | ⑫ AC Input | ⑲ Short Circuit |
| ⑥ Power Lifting Mode | ⑬ AC Output | ⑳ System Fault |
| ⑦ Turbo Charging | ⑭ DC Output | ㉑ Input Power |

4. Use Your Elite 320

4.1 Power On/Off



Power On

Press the power button; the lit button indicates that the Elite 320 is on standby.

Power Off

Long press the power button for about 2 seconds to turn off the unit.

AC On/Off

Press AC power button when Elite 320 is on.

DC On/Off

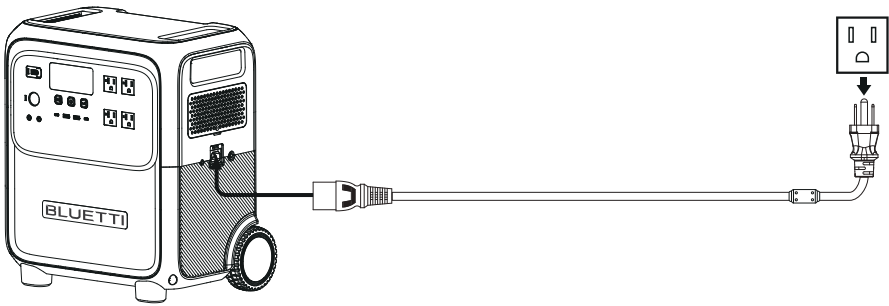
Press DC power button when Elite 320 is on.

Note: When Elite 320 is on, press any button to activate the display.

4.2 Charging Options

4.2.1 Wall Outlet

Plug the Elite 320 into a standard wall outlet. It stops charging when fully charged.



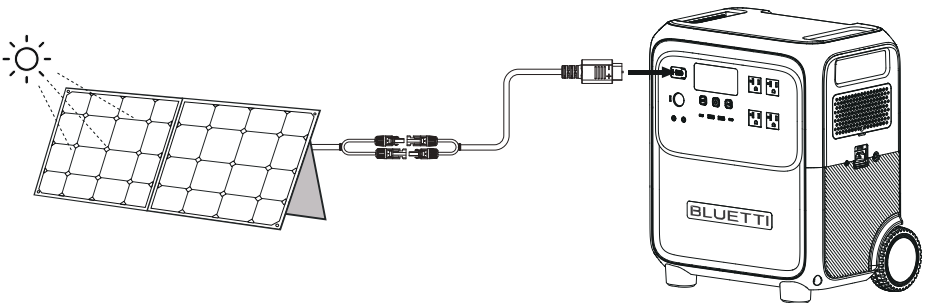
Note: Do not plug the unit's AC charging cable into its own AC outlets. Doing so could damage the connected device.

4.2.2 Solar Panel

Connect the solar panel(s) either in series or parallel, then use the solar charging cable to link them to the Elite 320.

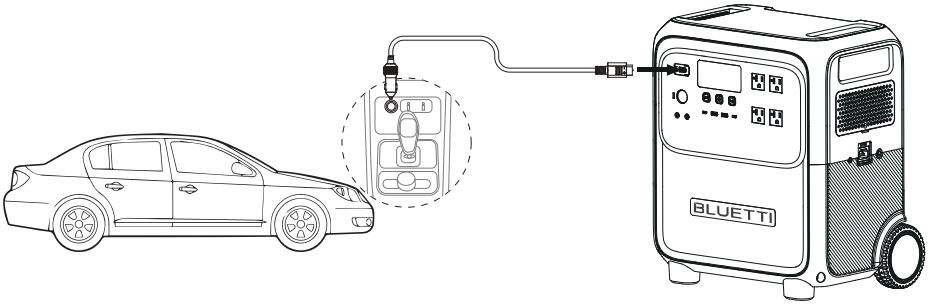
Note: Make sure the solar panel(s) meet the following requirements:

Voc: 12 V-60 V Current: 20 A Max. Power: 1,000 W Max.



4.2.3 Car (12 V/24 V)

Connect the Elite 320 to your car's 12 V or 24 V cigarette lighter port or socket using the car charging cable.



Notes:

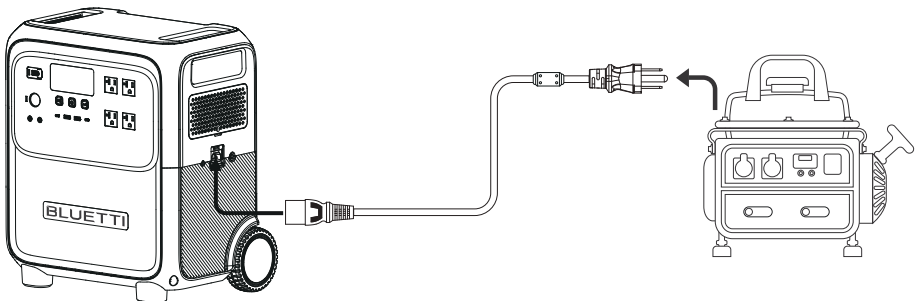
- Make sure your car has power and the engine is running while charging.
- Avoid over-discharging the car's battery.

4.2.4 Generator

Connect the Elite 320 to a generator using the AC charging cable. The charging stops automatically when fully charged.

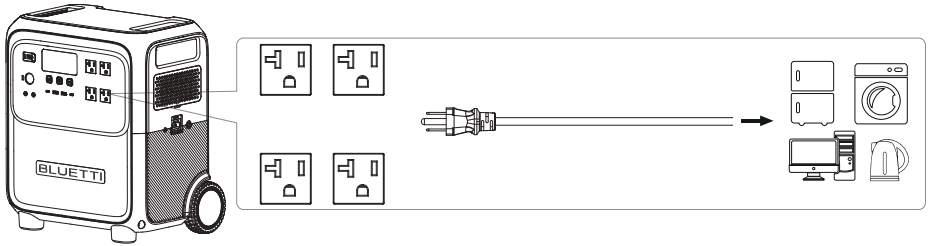
Notes:

- Use a generator with a pure sine wave output that matches the required voltage and frequency, and meets or exceeds the Elite 320's input power needs.
- It's recommended to enable **Grid Self-Adaption** mode when charging with a generator.



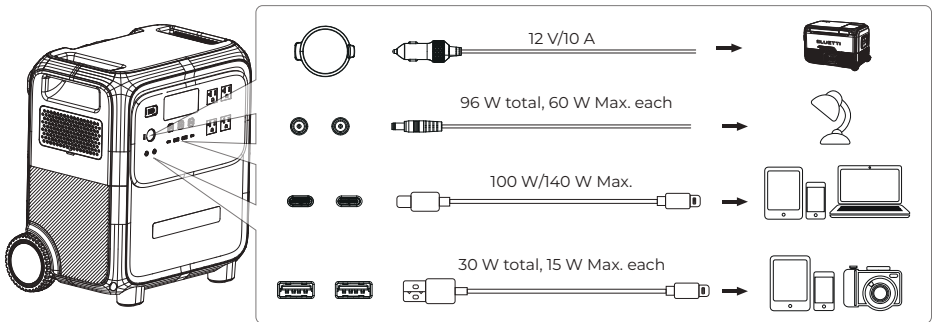
4.3 Power Your Devices

AC Outlets



Note: When servicing devices connected to the unit, make sure to unplug them from the outlets. Even if the AC output is turned off, physically unplugging the devices is necessary for complete disconnection.

DC Outlets

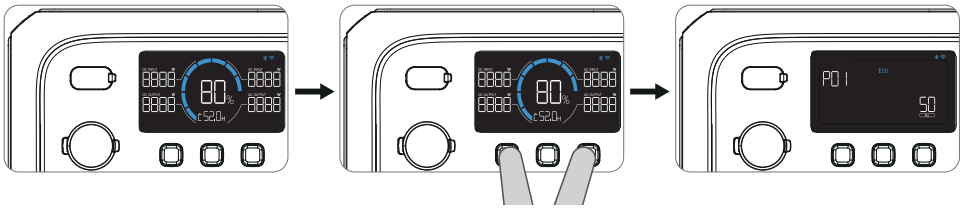


5. Configure Your Elite 320

The Elite 320 can be configured using either the device's buttons or the BLUETTI app. For advanced settings, such as enabling Grid Self-Adaption mode or configuring ECO mode, use the BLUETTI app. Refer to the app manual for more details.

5.1 Settings Mode

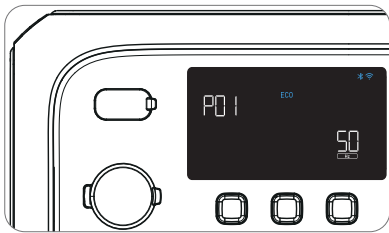
Enter the Mode: Press and hold the AC and DC power buttons simultaneously for about 2 seconds. The frequency icon flashes.



Exit the Mode: Press and hold both the AC and DC power buttons again. If left idle for 1 minute, the Elite 320 automatically exits without saving any changes.

Adjust settings in Settings Mode.

- Turn off the AC power first.
- Press the DC power button to navigate through the items, and press the AC power button to adjust.



Page Code	Setting
P01	Frequency
P03	AC Charging Mode
P04	Power Lifting Mode
P05	ECO Mode
P06	Bluetooth
P07	Wi-Fi

5.2 AC Charging Mode

The Elite 320 offers three AC charging modes: Standard (default), Turbo, and Silent. You can set Standard or Turbo mode directly on the display, while the Silent mode can be activated via the app. By default, the device charges in Standard mode.

Mode		AC Input (Max.)	Solar Input (Max.)	AC + Solar Input (Max.)	Note
Standard		1,000 W	1,000 W	1,600W	Battery-friendly
Turbo	US	1,440 W	1,000 W	2,000 W	Quick recharge
	JP	1,440 W	1,000 W	2,000 W	
	EU/AU/UK	1,440 W	1,000 W	2,000 W	
Silent		800 W	600 W	1,400 W	Quiet operation

5.3 Power Lifting Mode

Power Lifting mode is disabled by default. It allows Elite 320 to power up to 2,700 W pure resistive loads like electric kettles, blankets, hair dryers, and similar heating devices.

Note: This mode is only for pure resistive loads rated 1,800 W-2,700 W. While the Elite 320 can handle such loads, its actual output power is still 1,800 W.

5.4 ECO Mode

AC-ECO and DC-ECO modes are disabled by default. When ECO modes are turned on, please be cautious that the Elite 320 will shut off the AC or DC output after a period of low or no load.

Set the auto shutdown power threshold and auto-off time via the app.

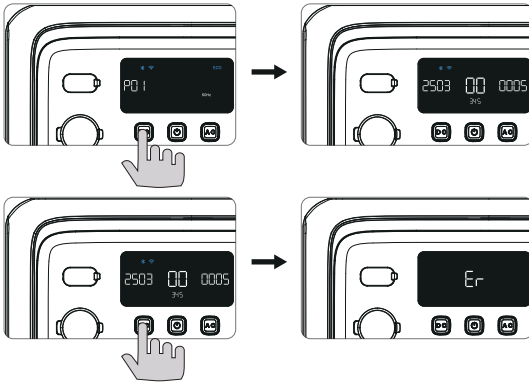
Notes:

- Both AC-ECO and DC-ECO modes are unavailable when charging with AC power.
- Press the AC power button to turn on/off AC-ECO and DC-ECO modes together, and use the BLUETTI app to control them separately.
- Disable the ECO mode when connecting small devices or critical appliances such as lights and refrigerators.

6. View Device Information

View device information in Settings Mode, too.

- Go to the P01 frequency page and long press the DC power button to view the unit's SN. Press the DC power button again to navigate through other information.
- When on Fault History page, long press the AC power button for about 2 seconds, then release to clear the history.



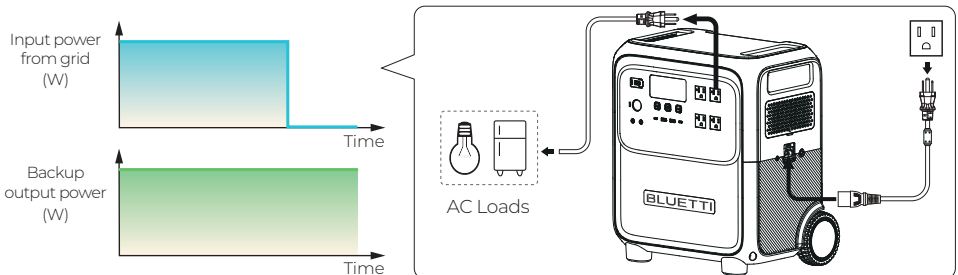
Page Code	Information
2503 00 0005	Serial Number (SN)
Er	Error Code
HI	Fault History
UE	Version

7. UPS Feature

Connect Elite 320 to the wall, and it directly draws power from the outlet to operate connected devices. It swiftly switches to battery power during an outage. Set UPS modes in the app.

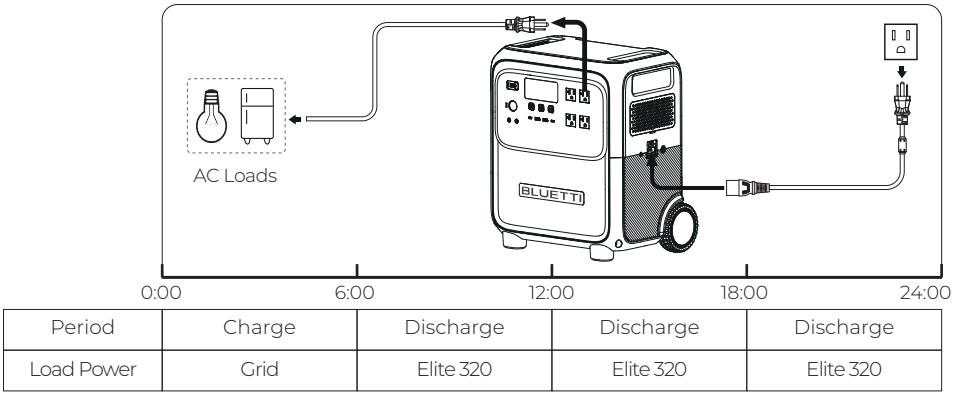
• Standard

The Elite 320 charges fully using a combination of solar and grid power, prioritizing solar when available. When the grid is active, it directly powers your devices. If the grid goes out, the Elite 320 seamlessly takes over.



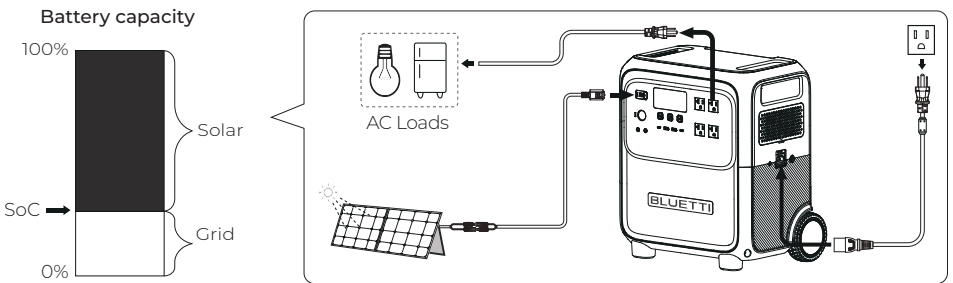
• **Time Control**

Save costs by scheduling Elite 320 to charge during off-peak hours and power devices during peak hours.



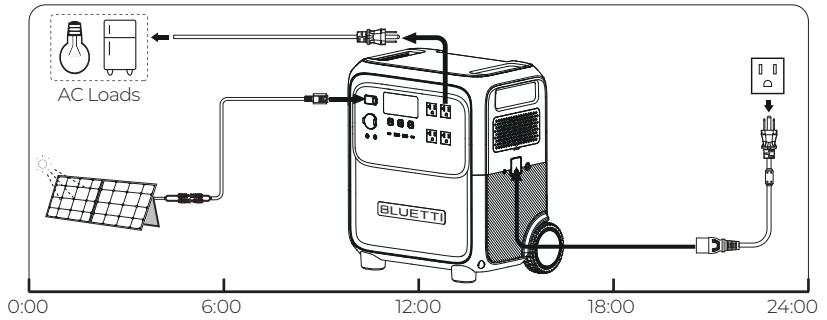
• **PV Priority**

Efficiently uses solar energy. Elite 320 initially charges from the grid to a set SoC and seamlessly switches to solar replenishment.



• Customized

Personalize charging/discharging schedule, set battery SoC limits, and control the schedule and grid input switches.

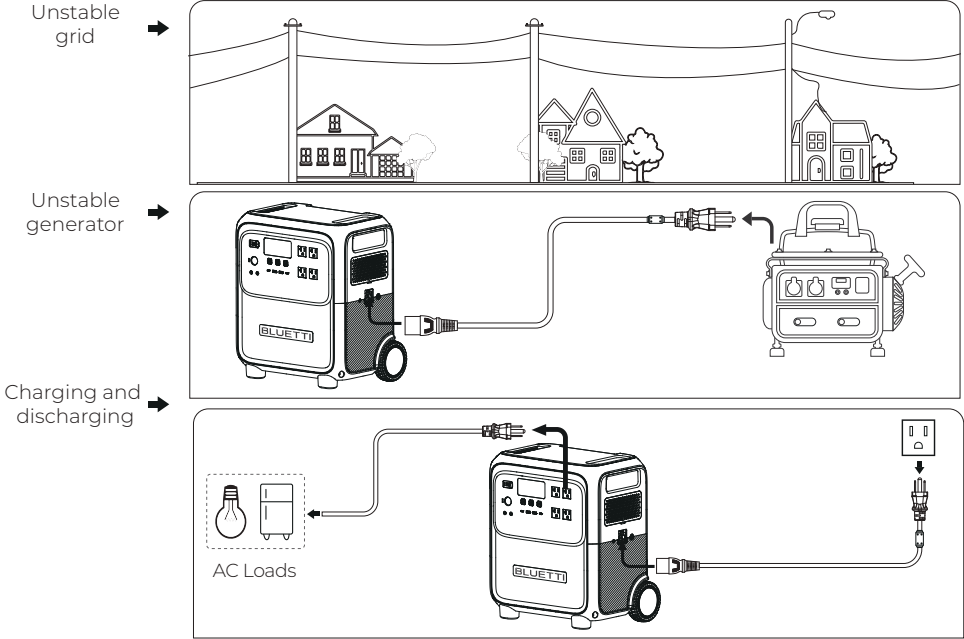


Period	Charge	Discharge	Discharge	Discharge
Load Power	Grid	Elite 320	Elite 320	Elite 320

Note: Not for devices like data servers or workstations that require high-performance UPS. BLUETTI assumes no liability for issues arising from violating this restriction.

8. Grid Self-Adaption Mode

When charging with an unstable generator or grid power, or if consumption power exceeds charging power, enable this mode in the app. The Elite 320 automatically adjusts to handle power fluctuations, protecting the unit and connected devices from potential issues due to variations in power quality.



9. Maintenance and Care

- When the SoC drops to 5%, charge the unit in time.
- Before storing, charge to 40%-60% SoC, then power off and disconnect all cables.
- Store it in a cool, dry place, away from flammable materials.
- Safe storage temperature: -4°F to 113°F (-20°C to 45°C). For storage over a month, keep it at 50°F to 86°F (10°C to 30°C).
- Fully cycle every 3 months to maintain battery health.
- Avoid extended storage; it may impact performance and lifespan.

If SoC drops to 0 during storage or startup:

- Shut down immediately.
- Charge within 48 hours.
- Keep it at 41°F to 95°F (5°C to 35°C) for 6 hours before charging.
- Recommended to charge via an AC source; if using solar energy, ensure an input of over 100 W.

10. System Switch Recovery

When the battery runs out and the unit shuts down, it saves the ON/OFF status of the AC and DC power buttons.

- If connected to grid power, the saved settings will automatically restore when the battery reaches 5%.
- If not connected to grid power, the settings will only restore if the battery reaches 5% and at least 30 minutes have passed since the unit turned off.

For example, in standard UPS mode, if a refrigerator is plugged into the AC outlet of the Elite 320 and the grid power goes out, the unit will provide immediate backup power. If the battery depletes, the unit will shut off but retain the AC output status as ON. When grid power returns and the battery is above 5%, the unit will automatically turn the AC output back ON to continue powering the refrigerator.

Note :

- During recovery, the AC and DC output settings can be adjusted via the app.
- To restore power immediately, turn off this feature.

11. Specifications

Model	Elite 320
Battery Capacity	3,200 Wh (100 Ah)
Battery Type	LiFePO ₄
Weight	About 74.96 lbs/34 kg
Dimensions (L × W × H)	15.87 × 11.18 × 18.11 in/403 × 284 × 460 mm (with wheels)
Charging Temperature	32°F to 104°F/0°C to 40°C
Discharging Temperature	-4°F to 104°F/-20°C to 40°C
Operating Humidity	10% to 90%
AC Output (Discharging/Bypass)	US: 1,800 W Max., 120 V, 50/60 Hz
	JP: 1,800 W Max., 100 V, 50/60 Hz
	EU/UK/AU: 1,800 W Max., 230 V, 50/60 Hz
DC Output	
2 × USB-A	5 V ⚡ 3 A, 15 W Max. each, 30 W total
1 × USB-C PD 3.0/QC 3.0	100 W Max., 5/9/12/15 V ⚡ 3 A, 20 V ⚡ 5 A
1 × USB-C PD 3.1/QC 3.1	140 W Max., 5/9/15 V ⚡ 3 A, 20/28 V ⚡ 5 A
1 × Cigarette Lighter Port	120 W Max., 12 V ⚡ 10 A
2 × DC5521 Port	12 V ⚡ 5 A, 60 W Max. each, 96 W total (12 V ⚡ 8 A)
AC Input	
AC Charging	US: 1,440 W Max., 120 V, 50/60 Hz
	JP: 1,440 W Max., 100 V, 50/60 Hz
	EU/UK/AU: 1,440 W Max., 230 V, 50 / 60 Hz
AC Input (Bypass)	US: 1,800 W Max., 120 V, 50/60 Hz
	JP: 1,500 W Max., 100 V, 50/60 Hz
	EU/UK/AU: 2,300 W Max., 230 V, 50/60 Hz
DC Input (XT60-F)	1,000 W Max., 12 V to 60 V, 20 A Max.
AC + DC Input	2,000 W Max.
Communication	Wi-Fi (2.4GHz)/Bluetooth (BLE5.0)
Operating Altitude	≤ 6,561.68 ft /2,000 m
Protection Rating	IP20
Uninterruptible Power Supply (UPS)	
Switchover Time	10 ms

Note: The cigarette lighter port and DC5521 ports are wired in parallel with a total maximum output of 10A.

12. Troubleshooting & FAQs

On the Error Code page, the **Er** and error code appear simultaneously on the screen. Check the app for error details and recommended solutions. If the issue persists, stop using the product immediately and contact BLUETTI support for assistance.

FAQs (Frequently Asked Questions)

Q1: How do I know whether my devices will work with this product?

A: Keep the total power below 1,800 W. Some devices with motors or compressors may start at 2-4 times their rated power, which could easily overload the Elite 320.

Q2: Can I use third-party solar panels to charge this product?

A: Yes, you can use third-party solar panels with an open circuit voltage of 12 V-60 V and MC4 connectors. Avoid mixing different types of solar panels.

Q3: Can it charge and discharge at the same time?

A: Yes, the Elite 320 supports pass-through charging.

Q4: Why is the charging power often too low?

A: The built-in BMS adjusts the charging power based on battery temperature and SoC to protect the battery and extend its life.

Q5: How to calculate the operation time?

A: Runtime = Battery Capacity × DoD × η ÷ (Load + Elite 320 Self-consumption)

Note: DoD (Depth of Discharge) is 95%. η (inverter efficiency) is over 92%. Elite 320 self-consumption is about 10 W.

Appendix

Update Firmware via BLUETTI App

Keeping firmware updated is IMPORTANT for optimal performance. For detailed instructions, refer to the app user manual in the app. This manual uses the Elite 200 V2 upgrade as an example.

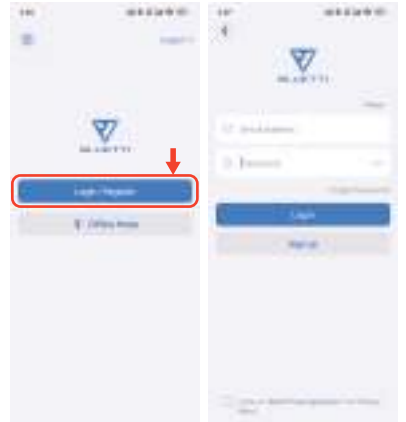
1. Download the BLUETTI app

Scan the QR code or search for "BLUETTI" in the App Store or Google Play to download the app.



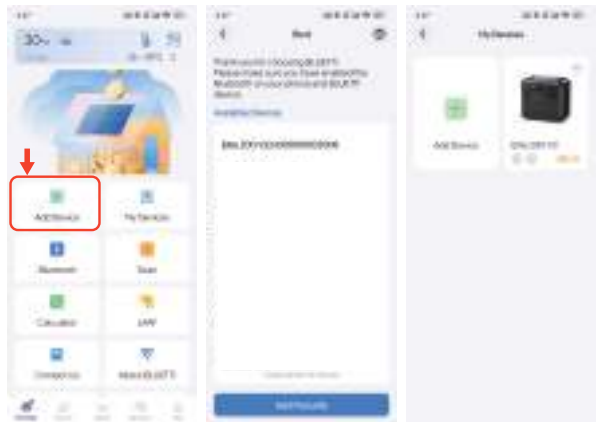
2. Log in or sign up

Log in with a BLUETTI account. If there is no account, create one by following the on-screen instructions.



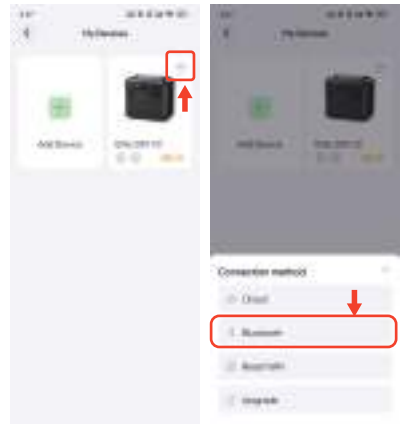
3. Bind the unit

- Tap Add Device directly or access My Devices > Add Device to start the process.
- Select the unit from the available device list, or choose Add Manually and enter the unit's serial number (SN).
- Alternatively, tap Scan on the Home page or in Add Device page to bind via QR code.



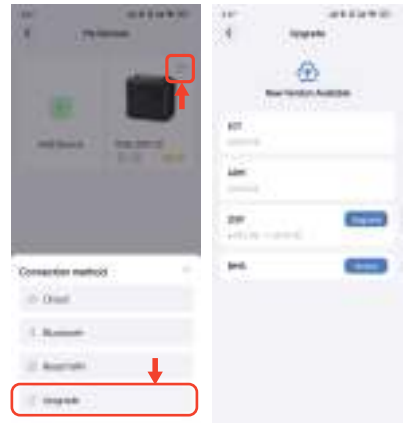
4. Connect via Bluetooth

On the My Devices page, tap the unit and select **Bluetooth** as the connection method.



5. Check for Firmware Updates

Tap **Upgrade** to access the **Upgrade** page.
The app will check for the latest firmware version available for the unit.



6. Download and Install the Update

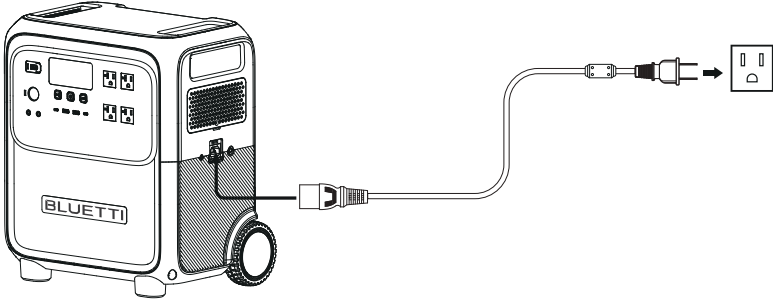
If a new firmware update is available, tap **Upgrade** and follow the on-screen instructions.

Notes:

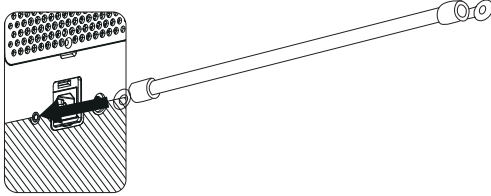
- Ensure the unit remains powered on and connected during the update.
- Keep your phone and the unit close together (recommended range: 16.4 ft/5 m).
- Do not exit app until done.

Grounding Guidelines

Only use the grounding terminal when the product is connected to the home grid using a 2-pin cable, or if the wall outlet's grounding is ineffective, and the connected device features a metal case.



Use a cable with OT terminals for grounding. Connect one end to the grounding terminal with a grounding screw and the other end to the wall outlet or home distribution box ground.



Compliance

• FCC Statement

This device complies with part 15 of the FCC Rules. Operation is subject to the following two conditions:

- (1) This device may not cause harmful interference.
- (2) This device must accept any interference received, including interference that may cause undesired operation.

This equipment has been tested and found to comply with the limits for a Class B digital device, pursuant to part 15 of the FCC Rules. These limits are designed to provide reasonable protection against harmful interference in a residential installation. This equipment generates, uses and can radiate radio frequency energy and, if not installed and used in accordance with the instructions, may cause harmful interference to radio communications. However, there is no guarantee that interference will not occur in a particular installation. If this equipment does cause harmful interference to radio or television reception, which can be determined by turning the equipment off and on, the user is encouraged to try to correct the interference by one or more of the following measures:

- Reorient or relocate the receiving antenna.
- Increase the separation between the equipment and receiver.
- Connect the equipment into an outlet on a circuit different from that to which the receiver is connected.
- Consult the dealer or an experienced radio / TV technician for help.

FCC Caution: Any changes or modifications not expressly approved by the party responsible for compliance could void the user's authority to operate this equipment.

IMPORTANT NOTE: FCC Radiation Exposure Statement

This equipment complies with FCC radiation exposure limits set forth for an uncontrolled environment. This equipment should be installed and operated with a minimum distance of 20cm between the radiator and your body.

• IC Caution

This device contains licence-exempt transmitter(s) / receiver(s) that comply with Innovation, Science and Economic Development Canada's licence-exempt RSS(s). Operation is subject to the following two conditions:

- (1) This device may not cause interference.
- (2) This device must accept any interference, including interference that may cause undesired operation of the device.

RF exposure statement: The equipment complies with ISED Radiation exposure limits set forth for uncontrolled environments. This equipment should be installed and operated with a minimum distance of 20cm between the radiator and your body.

L'émetteur/récepteur exempt de licence contenu dans le présent appareil est conforme aux CNR d'Innovation, Sciences et Développement économique Canada applicables aux appareils radio exempts de licence. L'exploitation est autorisée aux deux conditions suivantes:

- (1) L' appareil ne doit pas produire de brouillage;
- (2) L' appareil doit accepter tout brouillage radioélectrique subi, même si le brouillage est susceptible d' en compromettre le fonctionnement.

Déclaration d'exposition aux RF : L'équipement est conforme aux limites d'exposition aux rayonnements ISDE définies pour les environnements non contrôlés. Cet équipement doit être installé et utilisé avec une distance minimale de 20 cm entre le radiateur et votre corps.

CAN ICES (B)/NMB (B)



This Class B digital apparatus complies with Canadian ICES-003.

• Sécurité Information

INSTRUCTIONS PERTAINING TO RISK OF FIRE, ELECTRIC SHOCK, OR INJURY TO PERSONS

AVERTISSEMENT - Quand en utilisant le produit, basique précautions devrait toujours être suivi, y compris le suivant:

- Lire tous le instructions avant en utilisant le produit.
- Poignée le produit avec se soucier, éviter gouttes, violent impacts, ou basculement.
- À réduire le risque de blessure, fermer surveillance est nécessaire quand le produit est utilisé près enfants.
- Faire pas mettre des doigts ou étranger objets dans le des produits ports.
- Utiliser de un pièce jointe pas recommandé ou vendu par le fabricant peut résultat dans un risque de feu, électrique choc, ou blessure à personnes.
- Faire pas se déplacer le produit pendant opération à éviter pauvre Connexions.
- Faire pas exposer le batterie à haut les températures, comme ce peut cause un explosion ou fuite de inflammable liquides ou des gaz.
- Faire pas utiliser le produit dans le pluie ou haut humidité environnements.

- Faire pas utiliser un batterie paquet ou appareil que est endommagé ou modifié. Endommagé ou modifié batteries peut exposition imprévisible comportement résultant dans feu, explosion ou risque de blessure.
- Poignée le produit avec prudence dans faible air pression environnements à prévenir explosion ou des fuites.
- Charge le produit dans un bien ventilé zone.
- Dans des conditions abusives, du liquide peut être éjecté de la batterie du produit ; éviter contact. En cas de contact accidentel , rincer à l'eau. Si le liquide entre en contact avec les yeux, chercher médical aide. Batterie liquide peut cause irritation ou des brûlures.
- Dans cas de feu, utiliser un sec poudre feu extincteur approprié pour le produit.
- Jamais disposer de le des produits batterie dans feu, chaud les fours, ou par Coupe il.
- Faire pas fonctionner le produit avec un endommagé corde, prise, ou sortir cable.
- À réduire le risque de dommage à le électrique prise et corde, tirer le prise plutôt que le cordon quand déconnexion le produit.
- Faire pas démonter le produit; prendre il à un qualifié service personne si service ou réparation est requis. Incorrect remontage peut résultat dans un risque de feu ou électrique choc.
- Débrancher le produit avant n'importe lequel entretien à prévenir électrique choc.
- AVERTISSEMENT - RISQUE DE EXPLOSIF DES GAZ. Suivre ces instructions et ceux publié par le fabricant de tout équipement que vous avez l'intention d'utiliser à proximité du produit pour réduire risque de batterie explosion.
- AVERTISSEMENT - RISQUE DE ÉLECTRIQUE CHOC. Jamais utiliser le produit à pouvoir outils à couper ou accéder en direct les pièces, cablages ou matériaux contenant eux, tel comme batiment des murs.
- Avoir entretien effectué par un qualifié réparation personne en utilisant seulement identique remplacement les pièces. Ce volonté assurer que le sécurité de le produit est entretenu.
-   Les symboles sur l'appareil et ses accessoires sont destinés à vous rappeler de lire le instructions dans le littérature accompagnant le produit avant opération et entretien.
- Le Prise de courant devrait être installée près le produit et facilement accessible pour sécurité fins.
- Prudence: Le sortir de USB-C port est classifié comme PS3 selon à standard CEI 62368-1. Envisagez de mettre en oeuvre des mesures de protection contre l'incendie, telles qu'une enceinte coupe-feu, pour les équipements connectés . ou accessoires.

Attention



Pas permis sur avion.

Utilisez la poignée télescopique uniquement pour le transport. Rétractez-la complètement après utilisation.

Élimination et Recyclage

1. Apportez les vieux composants électroniques et les piles aux centres de recyclage désignés. Ce empêche non conforme élimination et les soutiens matériel récupération.
2. Si possible, déchargez complètement les batteries, puis placez-les dans la batterie désignée boîtes de recyclage. Les piles de ce produit contiennent des produits chimiques dangereux. Ne pas disposer de eux avec régulier ménage déchets. S'il te plaît suivre locale lois et règlements pour approprié batterie élimination.
3. Si un batterie ne peut pas pleinement décharge exigible à produit mauvais fonctionnement, faire pas lieu il dans le boîte de recyclage des piles. Contactez plutôt une organisation professionnelle de recyclage de batteries pour sûr manutention.

Mise à la terre Instructions (Pour CA mise en charge seulement)

- Ce produit doit être mis à la terre lorsqu'il est connecté au réseau. Si ce produit devait mauvais fonctionnement, mise à la terre fournit un chemin de moins résistance pour électrique actuel à réduire le risque de électrique choc.
- Le produit est équipé d'un câble de chargement CA doté d'une mise à la terre conducteur et une fiche de mise à la terre. La fiche doit être branchée dans une prise appropriée que est correctement installée et fondé dans conformité avec tous locale codes et ordonnances.
- AVERTISSEMENT - Une mauvaise connexion du conducteur de terre peut entraîner un risque de choc électrique. Vérifiez auprès d'un électricien qualifié si vous avez des doutes quant à savoir si le produit est correctement fondé. Ne le faites pas modifier le prise fourni avec le produit – si ca va pas ajuster le sortie, avoir un approprié sortie installée par un qualifié électricien.

SAUVEGARDER CES INSTRUCTIONS

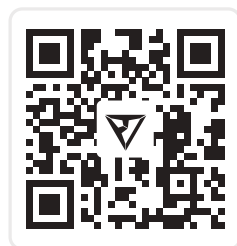
Élite 320

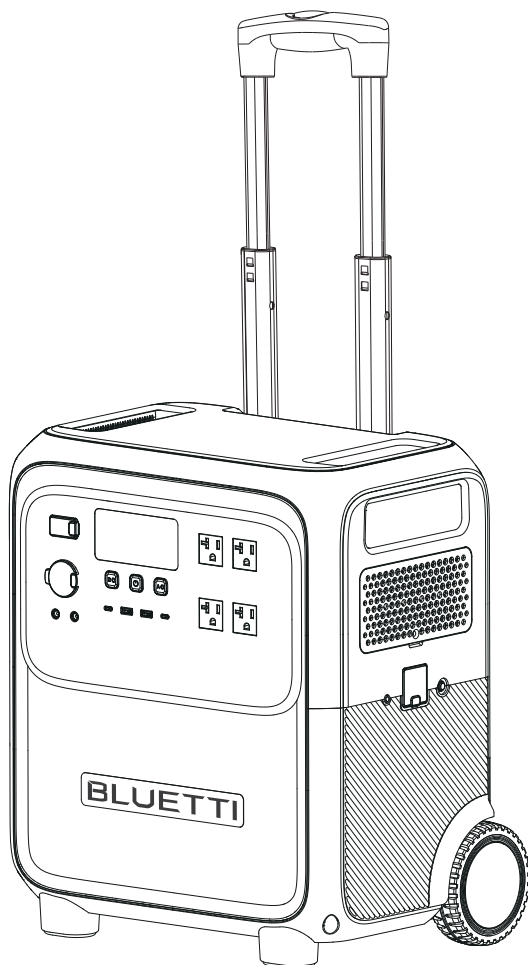
Centrale électrique portable

Manuel d'utilisation v1.0

Instructions importantes

- Pour des performances optimales, mettez à jour votre appareil vers le dernier micrologiciel avant la première utilisation.
- Voir l'annexe « Mettre à jour le micrologiciel via l'application BLUETTI ».
- Lisez et familiarisez-vous avec ce manuel avant utilisation et conservez-le afin de pouvoir le consulter ultérieurement.





Conseils

1. Chargez complètement l'appareil avant la première utilisation.
2. N'utilisez pas de panneaux solaires avec une tension à vide supérieure à 60 V. La plage de tension d'entrée solaire de l'appareil est comprise entre 12 V et 60 V.
3. Si l'état de charge de l'appareil descend en dessous de 5 %, veuillez recharger l'appareil rapidement. Si l'état de charge de l'appareil descend à 0, éteignez l'appareil et chargez-le pendant au moins 30 minutes avant de le redémarrer.
4. Cet appareil est destiné à une utilisation hors réseau uniquement. Ne connectez pas la sortie CA de l'appareil au réseau.
5. Si l'appareil n'est pas utilisé pendant plus de 3 mois, chargez-le entre 40 % et 60 % et stockez-le hors tension.
6. Pour une durée de vie optimale de la batterie, déchargez et chargez l'appareil tous les 3 mois.

Informations légales

Notification

Les produits et services de BLUETTI sont soumis aux conditions générales convenues lors de l'achat. Certains aspects décrits dans ce manuel peuvent ne pas être disponibles dans le cadre de votre contrat d'achat. Sauf indication contraire dans le contrat, BLUETTI ne fait aucune déclaration ni garantie expresse ou implicite concernant le contenu de ce manuel. Le contenu de ce manuel est sujet à modification sans préavis. Veuillez obtenir la dernière version sur le site Web officiel de BLUETTI.

Si vous avez des questions ou des préoccupations concernant ce manuel, contactez l'assistance BLUETTI pour obtenir de l'aide.

Table des matières



1. Consignes de sécurité	35
2. Liste de colisage	38
3. Découvrir votre Élite 320	39
3.1 Présentation	39
3.2 Écran LCD	40
4. Utiliser votre Élite 320	41
4.1 Mettre sous tension/hors tension	41
4.2 Options de charge	42
4.3 Alimenter vos appareils	44
5. Configurer votre Élite 320	45
5.1 Mode Paramètres	45
5.2 Mode de charge CA	46
5.3 Mode Augmentation de puissance	46
5.4 Mode ÉCO	46
6. Afficher les informations sur l'appareil	47
7. Fonctionnalité de l'onduleur	47
8. Mode Auto-adaptation du réseau	50
9. Entretien et soins	51
10. Récupération du commutateur système	51
11. Caractéristiques	52
12. Dépannage et FAQ	53
Annexe	54

1. Consignes de sécurité

INSTRUCTIONS RELATIVES AUX RISQUES D'INCENDIE, DE CHOC ÉLECTRIQUE OU DE BLESSURES CORPORELLES

AVERTISSEMENT - Lors de l'utilisation du produit, des précautions de base doivent toujours être respectées, notamment les suivantes :

- Lire toutes les instructions avant d'utiliser le produit.
- Manipuler le produit avec précaution, en évitant les chutes, les chocs violents ou de l'incliner.
- Afin de réduire le risque de blessure, une surveillance étroite est nécessaire lorsque le produit est utilisé à proximité d'enfants.
- Ne pas mettre les doigts ou des objets étrangers dans les ports du produit.
- L'utilisation d'un accessoire non recommandé ou non vendu par le fabricant peut entraîner un risque d'incendie, de choc électrique ou de blessures corporelles.
- Ne pas déplacer le produit pendant son fonctionnement pour éviter de mauvaises connexions.
- Ne pas exposer la batterie à des températures élevées, car cela pourrait provoquer une explosion ou une fuite de liquides ou de gaz inflammables.
- Ne pas utiliser le produit sous la pluie ou dans des environnements très humides.
- Ne pas utiliser de batterie ou d'appareil endommagé ou modifié. Les batteries endommagées ou modifiées peuvent présenter un comportement imprévisible entraînant un incendie, une explosion ou un risque de blessure.
- Manipuler le produit avec précaution dans des environnements à faible pression d'air pour éviter les explosions ou les fuites.
- Charger le produit dans un endroit bien aéré.
- Dans des conditions abusives, du liquide peut être éjecté de la batterie du produit ; éviter tout contact. En cas de contact accidentel, rincer abondamment à l'eau. Si le liquide entre en contact avec les yeux, consulter également un médecin. Le liquide de la batterie peut provoquer une irritation ou des brûlures.
- En cas d'incendie, utiliser un extincteur à poudre sèche adapté au produit.
- Ne jamais jeter la batterie du produit au feu, dans des fours chauds ou en la découpant.
- Ne pas utiliser le produit avec un cordon, une fiche ou un câble de sortie endommagé.
- Pour réduire le risque d'endommager la fiche et le cordon électriques, tirez sur la fiche plutôt que sur le cordon lorsque vous débranchez le produit.
- Ne pas démonter le produit ; le confier à un technicien qualifié si un entretien ou une réparation est nécessaire. Un remontage incorrect peut entraîner un risque d'incendie ou de choc électrique.

- Débrancher le produit avant toute intervention d'entretien afin d'éviter tout choc électrique.
- **ATTENTION : RISQUE DE GAZ EXPLOSIFS.** Suivez ces instructions et celles publiées par le fabricant de tout équipement que vous avez l'intention d'utiliser à proximité du produit pour réduire le risque d'explosion de la batterie.
- **ATTENTION : RISQUE DE CHOC ÉLECTRIQUE.** Ne jamais utiliser le produit avec des outils électriques pour couper ou accéder à des pièces sous tension, des câbles ou des matériaux qui en contiennent, comme les murs des bâtiments.
- Faire effectuer l'entretien par un réparateur qualifié utilisant uniquement des pièces de rechange identiques. Cela permettra de s'assurer la sécurité du produit.
-   Les symboles figurant sur l'appareil et ses accessoires sont destinés à vous rappeler de lire les instructions contenues dans la documentation accompagnant le produit avant son utilisation et son entretien.
- La prise de courant doit être installée à proximité du produit et facilement accessible pour des raisons de sécurité.
- **ATTENTION :** La sortie des ports USB-C, DC5521 et allume-cigare est classée comme PS3 selon la norme IEC 62368-1. Afin de réduire les risques d'incendie, il est recommandé d'utiliser des mesures de protection, telles qu'une enceinte coupe-feu, pour tout équipement ou accessoire connecté.
- Utilisez la poignée télescopique uniquement pour le transport. Rétractez-la complètement après utilisation.

Attention



Non autorisé à bord des avions.

Mise au rebut et recyclage

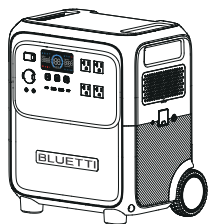
1. Apportez les anciens composants électroniques et batteries dans les centres de recyclage désignés. Cela évite une élimination inappropriée et favorise la revalorisation des matériaux.
2. Si possible, déchargez complètement les batteries, puis placez-les dans les bacs de recyclage de batteries prévus à cet effet. Les batteries de ce produit contiennent des produits chimiques dangereux. Ne les jetez pas avec les ordures ménagères. Respectez les lois et réglementations locales pour une mise au rebut appropriée des batteries.
3. Si une batterie ne peut pas se décharger complètement en raison d'un dysfonctionnement du produit, ne la placez pas dans le bac de recyclage des batteries. Contactez plutôt une entreprise professionnelle de recyclage de batteries pour une manipulation en toute sécurité.

Instructions de mise à la terre (pour la charge CA uniquement)

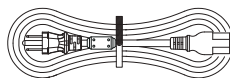
- Ce produit doit être mis à la terre lorsqu'il est connecté au réseau. En cas de dysfonctionnement ou de panne, la mise à la terre fournit un chemin de moindre résistance au courant électrique afin de réduire le risque de choc électrique.
- Le produit est équipé d'un câble de charge CA doté d'un conducteur et d'une fiche de mise à la terre. La fiche doit être branchée sur une prise appropriée, correctement installée et mise à la terre conformément à tous les codes et ordonnances locaux.
- **AVERTISSEMENT :** Une connexion incorrecte du conducteur de mise à la terre peut entraîner un risque de choc électrique. Consultez un électricien qualifié si vous avez des doutes quant à la mise à la terre correcte du produit. Ne modifiez pas la fiche fournie avec le produit. Si elle ne s'adapte pas à la prise, faites installer une prise adaptée par un électricien qualifié.

CONSERVEZ CES INSTRUCTIONS

2. Liste de colisage



Élite 320
Centrale électrique portable



Câble de charge CA



Vis de mise à la terre
(M5 × 10 mm)

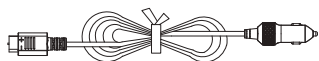


Documentation

Les accessoires* suivants ne sont pas inclus.

Vous pouvez acheter des accessoires sur le site <https://www.bluettipower.com>

*Les images sont fournies à titre indicatif uniquement.



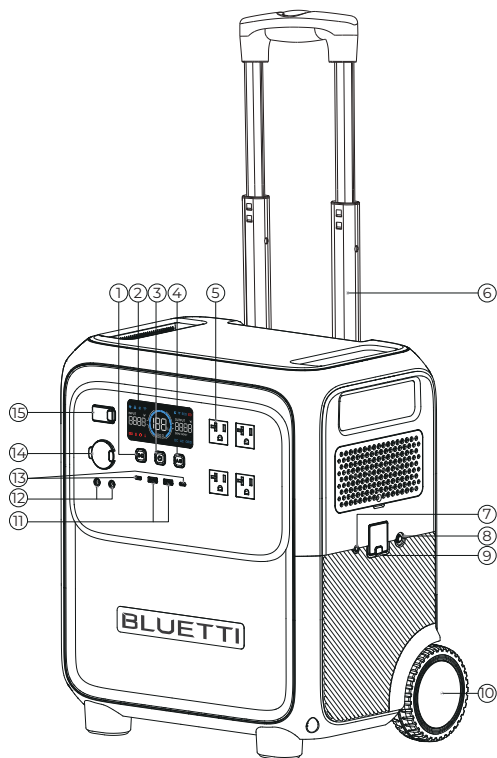
Câble de charge de la voiture



Câble de charge solaire
(MC4 vers XT60)

3. Découvrir votre Élite 320

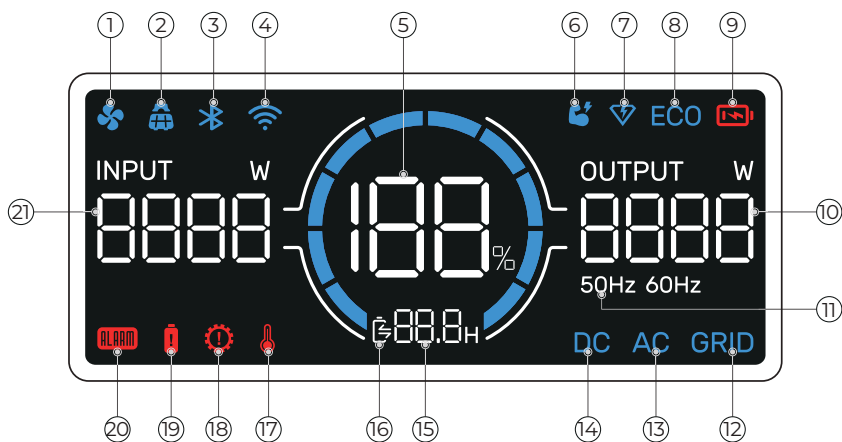
3.1 Présentation



- | | |
|-----------------------------|---------------------------|
| ① Bouton d'alimentation CC | ⑨ Entrée CA |
| ② Écran LCD | ⑩ Roue |
| ③ Bouton d'alimentation | ⑪ Ports USB-A |
| ④ Bouton d'alimentation CA | ⑫ Ports DC5521 |
| ⑤ Prise CA | ⑬ Ports USB-C |
| ⑥ Manche télescopique | ⑭ Port pour allume-cigare |
| ⑦ Borne de mise à la terre* | ⑮ Entrée CC |
| ⑧ Disjoncteur | |

* Utilisé pour la mise à la terre lors de l'alimentation de certains équipements.
Pour obtenir de l'aide, contactez-nous ou reportez-vous à l'annexe « Directives de mise à la terre ».

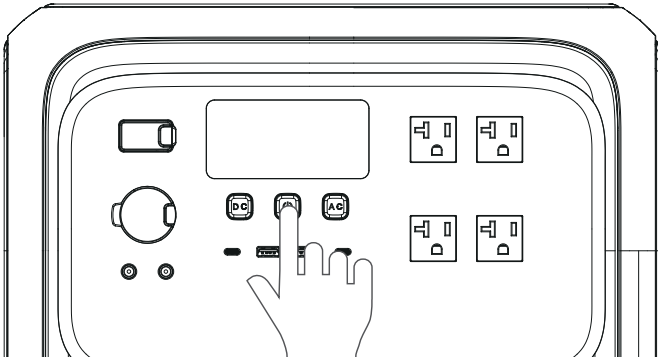
3.2 Écran LCD



- | | | |
|----------------------------------|--------------------------|-----------------------------|
| ① Ventilateur | ⑧ Mode ÉCO | ⑮ Temps de décharge restant |
| ② Entrée CC | ⑨ Batterie faible | ⑯ État de batterie |
| ③ Connexion Bluetooth | ⑩ Puissance de sortie | ⑰ Alerte de température |
| ④ Connexion Wi-Fi | ⑪ Fréquence de sortie CA | ⑱ Surcharge |
| ⑤ État de charge (SoC) | ⑫ Entrée CA | ⑲ Court-circuit |
| ⑥ Mode Augmentation de puissance | ⑬ Sortie CA | ⑳ Défaut du système |
| ⑦ Charge Turbo | ⑭ Sortie CC | ㉑ Puissance d'entrée |

4. Utiliser votre Élite 320

4.1 Mettre sous tension/hors tension



Mettre sous tension

Appuyez sur le bouton d'alimentation. Le bouton allumé indique que l'Élite 320 est en veille.

Mettre hors tension

Appuyez longuement sur le bouton d'alimentation pendant environ 2 secondes pour éteindre l'appareil.

Marche/arrêt CA

Appuyez sur le bouton d'alimentation CA lorsque l'Élite 320 est allumé.

Marche/arrêt CC

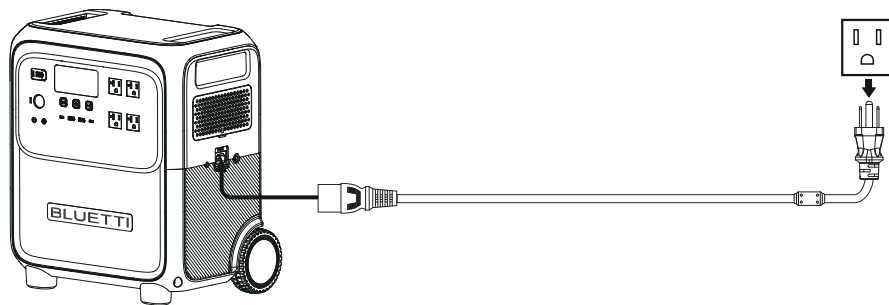
Appuyez sur le bouton d'alimentation CC lorsque l'Élite 320 est allumé.

Remarque : Lorsque l'Élite 320 est allumé, appuyez sur n'importe quel bouton pour activer l'affichage.

4.2 Options de charge

4.2.1 Prise murale

Branchez l'Élite 320 sur une prise murale standard. Il arrête de charger lorsqu'il est complètement chargé.

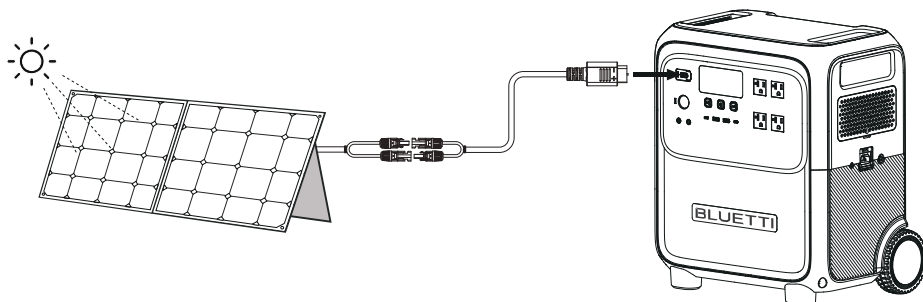


Remarque : Ne branchez pas le câble de charge CA de l'appareil sur ses propres prises CA. Cela pourrait endommager l'appareil connecté.

4.2.2 Panneau solaire

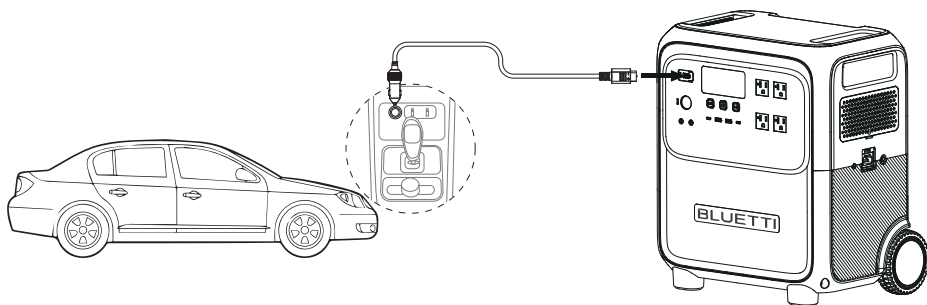
Connectez le ou les panneaux solaires en série ou en parallèle, puis utilisez le câble de charge solaire pour les relier à l'Élite 320.

Remarque : Assurez-vous que les panneaux solaires répondent aux exigences suivantes :
Tension à vide : Courant 12 V-60 V : 20 A max. Puissance : 1 000 W max.



4.2.3 Voiture (12 V/24 V)

Connectez l'Élite 320 au port allume-cigare 12 V ou 24 V de votre voiture à l'aide du câble de charge de la voiture.



Remarques :

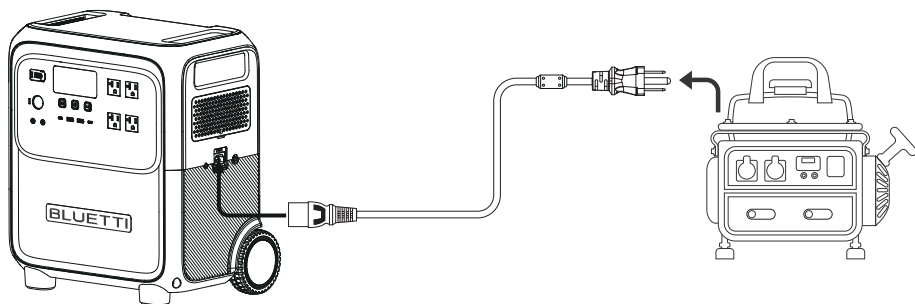
- Assurez-vous que votre voiture est alimentée et que le moteur tourne pendant la charge.
- Évitez de décharger excessivement la batterie de la voiture.

4.2.4 Générateur

Connectez l'Élite 320 à un générateur à l'aide du câble de charge CA. La charge s'arrête automatiquement lorsqu'elle est complètement chargée.

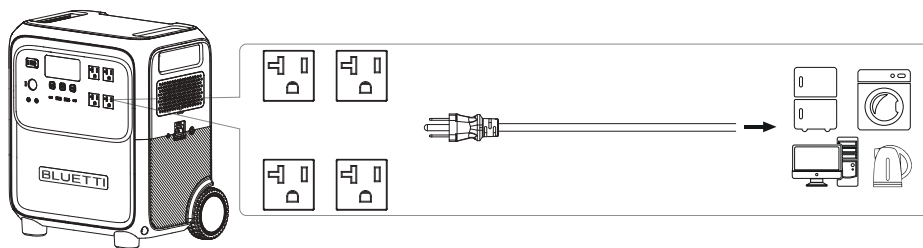
Remarques :

- Utilisez un générateur avec une sortie d'onde sinusoïdale pure qui correspond à la tension et à la fréquence requises et qui satisfait ou dépasse les exigences d'entrée de l'Élite 320.
- Il est recommandé d'activer **le mode Auto-adaptation du réseau** lors de la charge avec un générateur.



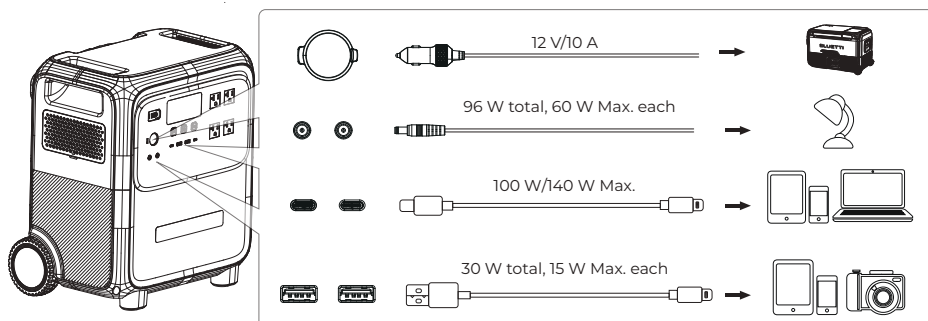
4.3 Alimenter vos appareils

Prises CA



Remarque : Lors de l'entretien des appareils connectés à l'unité, assurez-vous de les débrancher. Même si la sortie CA est désactivée, il est nécessaire de débrancher physiquement les appareils pour une déconnexion complète.

Prises CC

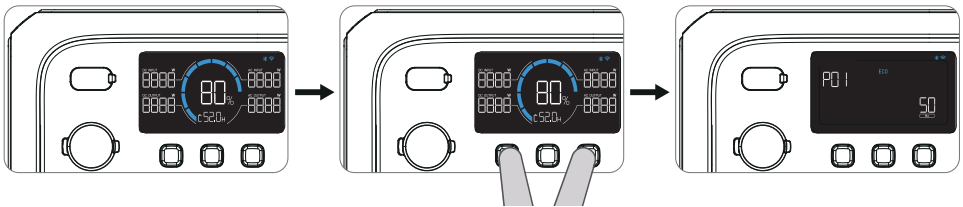


5. Configurer votre Élite 320

L'Élite 320 peut être configuré à l'aide des boutons de l'appareil ou de l'application BLUETTI. Pour les paramètres avancés, tels que l'activation du mode Auto-adaptation du réseau ou la configuration du mode ÉCO, utilisez l'application BLUETTI. Reportez-vous au manuel de l'application pour plus de détails.

5.1 Mode Paramètres

Entrez dans le mode : appuyez simultanément sur les boutons d'alimentation CA et CC et maintenez-les enfoncés pendant environ 2 secondes. L'icône de fréquence clignote.

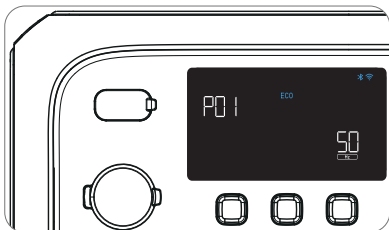


Quitter le mode : appuyez à nouveau sur les boutons d'alimentation CA et CC et maintenez-les enfoncés.

Si vous le laissez inactif pendant 1 minute, l'Élite 320 se déconnecte automatiquement sans enregistrer les modifications.

Ajustez les paramètres dans le mode Réglages.

- Désactivez d'abord la sortie CA.
- Appuyez sur le bouton d'alimentation CC pour parcourir les éléments et appuyez sur le bouton d'alimentation CA pour régler la valeur.



Code de page	Réglage
P01	Fréquence
P03	Mode Charge CA
P04	Mode Augmentation de puissance
P05	Mode ÉCO
P06	Bluetooth
P07	Wi-Fi

5.2 Mode de charge CA

Le Elite 320 propose trois modes de charge AC : Standard (par défaut), Turbo et Silencieux. Vous pouvez sélectionner le mode Standard ou Turbo directement sur l'écran, tandis que le mode Silencieux peut être activé via l'application. Par défaut, l'appareil se charge en mode Standard.

Mode		Entrée CA (max.)	Entrée solaire (max.)	Entrée CA + solaire (max.)	Remarque
Standard		1 000 W	1 000 W	1 600 W	Économe en batterie
Turbo	US	1 440 W	1 000 W	2 000 W	Recharge rapide
	JP	1 440 W	1 000 W	2 000 W	
	UE/AU/ Royaume-Uni	1 440 W	1 000 W	2 000 W	
Silencieux		800 W	600 W	1 400 W	Fonctionnement silencieux

5.3 Mode Augmentation de puissance

Le mode Augmentation de puissance est désactivé par défaut. Il permet à l'Élite 320 d'alimenter des charges résistives pures jusqu'à 2 700 W, comme des bouilloires électriques, des couvertures, des sèche-cheveux et des appareils de chauffage similaires.

Remarque : Ce mode est uniquement destiné aux charges résistives pures évaluées entre 1 800 W et 2 700 W. Bien que l'Élite 320 puisse gérer de telles charges, sa puissance de sortie réelle est toujours de 1 800 W.

5.4 Mode ÉCO

Les modes AC-ECO et DC-ECO sont désactivés par défaut. Lorsque les modes ECO sont activés, l'Elite 320 s'éteint automatiquement après une période de faible ou d'absence de charge.

Configurez le seuil de puissance d'arrêt automatique et la durée avant l'arrêt via l'application.

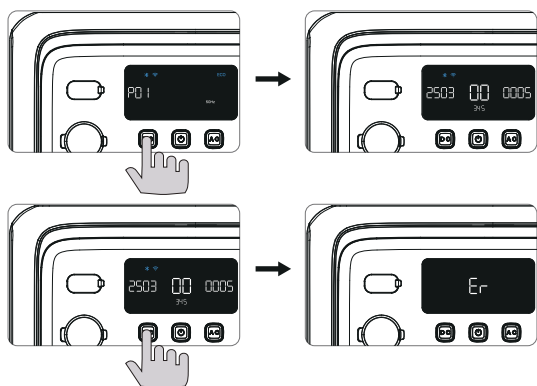
Remarques :

- Les modes AC-ECO et DC-ECO ne sont pas disponibles lors de la charge sur secteur.
- Appuyez sur le bouton d'alimentation AC pour activer/désactiver simultanément les modes AC-ECO et DC-ECO, et utilisez l'application BLUETTI pour les contrôler séparément.
- Désactivez le mode ECO lors de la connexion d'appareils de petite taille ou d'appareils critiques tels que des lampes ou des réfrigérateurs.

6. Afficher les informations sur l'appareil

Affichez également les informations sur l'appareil en mode Réglage.

- Accédez à la page de fréquence P01 et appuyez longuement sur le bouton d'alimentation CC pour afficher le numéro de série de l'appareil. Appuyez à nouveau sur le bouton d'alimentation CC pour parcourir les autres informations.
- Sur la page Historique des pannes, appuyez longuement sur le bouton d'alimentation CA pendant environ 2 secondes, puis relâchez-le pour effacer l'historique.



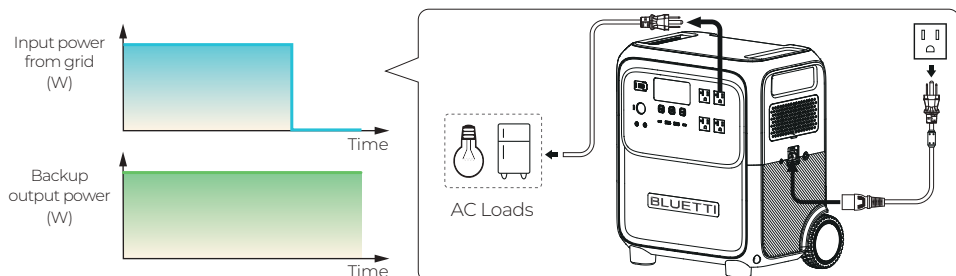
Code de page	Informations
2503 00 0005 2HS	Numéro de série
Er	Code d'erreur
HI	Historique des pannes
UE	Version

7. Fonctionnalité de l'onduleur

Branchez l'Élite 320 sur une prise murale, il tire alors directement l'alimentation de la prise pour faire fonctionner les appareils connectés. Il passe rapidement à l'alimentation par batterie en cas de panne. Définissez les modes de l'onduleur dans l'application.

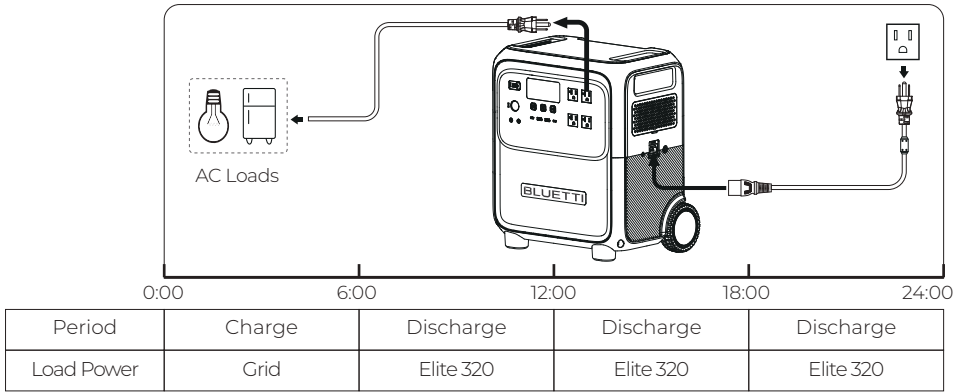
• Standard

L'Élite 320 se charge entièrement en utilisant une combinaison d'énergie solaire et de réseau électrique et en privilégiant l'énergie solaire lorsqu'elle est disponible. Lorsque le réseau est actif, il alimente directement vos appareils. En cas de panne de courant, l'Élite 320 prend le relais en toute fluidité.



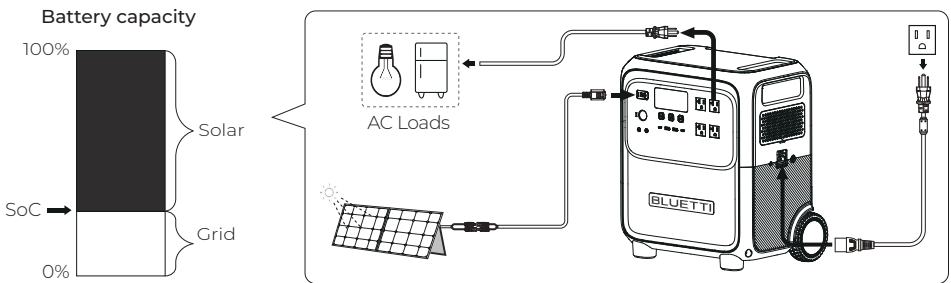
• Contrôle du temps

Réduisez les coûts en programmant la charge de l'Élite 320 pendant les heures creuses et l'alimentation des appareils pendant les heures de pointe.



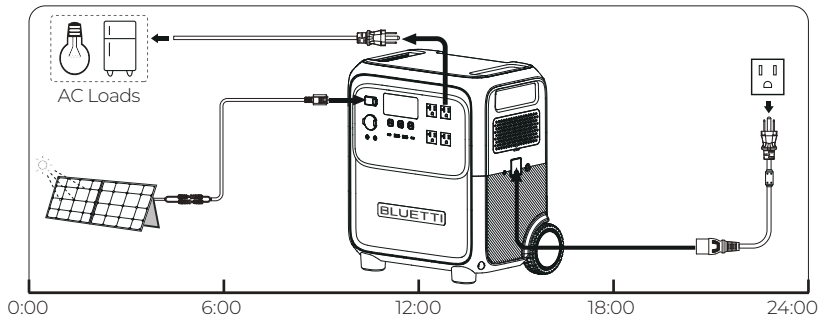
• Priorité PV

Utilise efficacement l'énergie solaire. L'Élite 320 se charge initialement à partir du réseau jusqu'à un état de charge défini, puis passe avec fluidité au réapprovisionnement solaire.



Personnalisé

Personnalisez le programme de charge/décharge, définissez les limites de l'état de charge de la batterie et contrôlez les commutateurs de programme et d'entrée réseau.

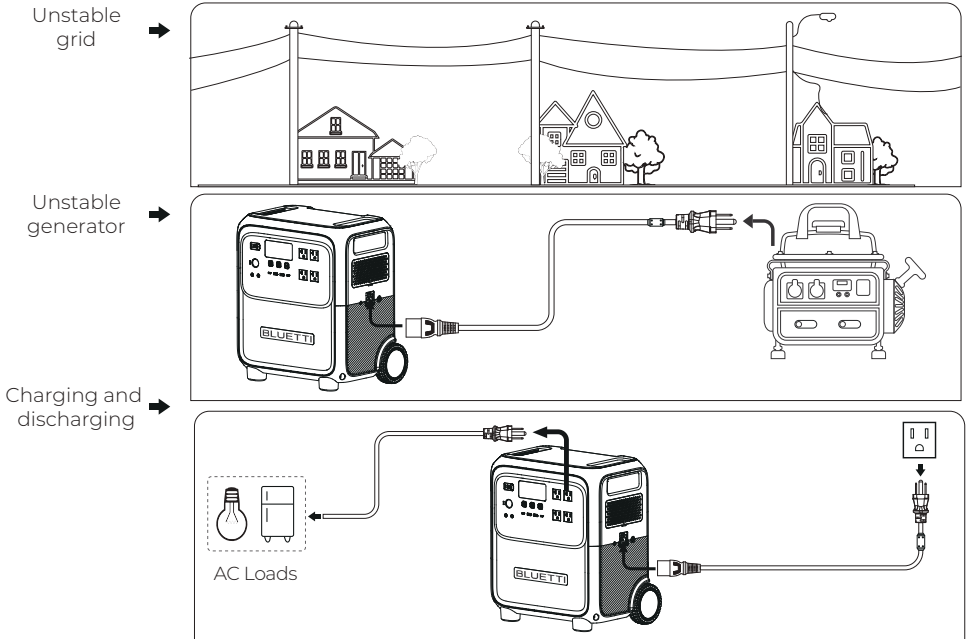


Period	Charge	Discharge	Discharge	Discharge
Load Power	Grid	Elite 320	Elite 320	Elite 320

Remarque : Ne convient pas aux appareils tels que les serveurs de données ou les postes de travail qui nécessitent un onduleur hautes performances. BLUETTI n'assume aucune responsabilité pour les problèmes découlant du non-respect de cette restriction.

8. Mode Auto-adaptation du réseau

Lors de la charge avec un générateur ou un réseau électrique instable, ou si la puissance de consommation dépasse la puissance de charge, activez ce mode dans l'application. L'Élite 320 s'ajuste automatiquement pour gérer les fluctuations de puissance, protégeant l'unité et les appareils connectés contre les problèmes potentiels dus aux variations de qualité de l'alimentation.



9. Entretien et soins

- Lorsque l'état de charge atteint 5 %, chargez l'appareil rapidement.
- Avant de stocker l'appareil, chargez-le entre 40 % et 60 %, puis éteignez-le et débranchez tous les câbles.
- Stockez-le dans un endroit frais et sec, à distance de toute matière inflammable.
- Température de stockage sûre : -20 °C à 45 °C Pour un stockage de plus d'un mois, maintenez la température entre 10 °C et 30 °C.
- Effectuez un cycle complet de décharge et charge tous les 3 mois pour maintenir l'intégrité de la batterie.
- Évitez le stockage prolongé ; cela peut affecter les performances et la durée de vie de l'appareil.

Si l'état de charge de l'appareil descend à 0 pendant le stockage ou le démarrage :

- Arrêtez-le immédiatement.
- Chargez-le dans les 48 heures.
- Maintenez-le entre 5 °C et 35 °C pendant 6 heures avant la charge.
- Il est recommandé de charger l'appareil via une source CA ; si vous utilisez l'énergie solaire, assurez-vous que l'entrée dépasse 100 W.

10. Récupération du commutateur système

Lorsque la batterie est vide et que l'appareil s'éteint, l'état ON/OFF des boutons d'alimentation CA et CC est enregistré.

- Si l'appareil est connecté au réseau électrique, les paramètres enregistrés seront automatiquement restaurés lorsque la charge de la batterie atteindra 5 %.
- Si l'appareil n'est pas connecté au réseau électrique, les paramètres ne seront restaurés que si la batterie atteint 5 % et qu'au moins 30 minutes se sont écoulées depuis l'arrêt de l'appareil.

Par exemple, en mode UPS standard, si un réfrigérateur est branché sur la prise CA de l'Élite 320 et que l'alimentation du réseau est interrompue, l'appareil fournira immédiatement une alimentation de secours. Si la batterie est épuisée, l'appareil s'éteint, mais conserve l'état de sortie CA sur ON. Lorsque le courant du réseau revient et que la charge de la batterie est supérieure à 5 %, l'unité réactive automatiquement la sortie CA pour continuer à alimenter le réfrigérateur.

Remarque :

- Pendant la récupération, les paramètres de sortie CA et CC peuvent être ajustés via l'application.
- Pour rétablir l'alimentation immédiatement, désactivez cette fonction.

11. Caractéristiques

Modèle		Élite 320
Capacité de la batterie	3 200 Wh (100 Ah)	
Type de batterie	LiFePO ₄	
Poids	Environ 34 kg	
Dimensions (L × l × H)	403 × 284 × 460 mm (avec roues)	
Température de charge	0 °C à 40 °C	
Température de décharge	-20°C à 40 °C	
Humidité de fonctionnement	10 % à 90 %	
Sortie CA (Décharge/Dérivation)	US : 1 800 W max., 120 V, 50/60 Hz	
	JP : 1 800 W max., 100 V, 50/60 Hz	
	UE/Royaume-Uni/AU : 1 800 W max., 230 V, 50/60 Hz	
Sortie CC		
2 × port USB-A	5 V $\overline{=}$ 3 A, 15 W max. chacun, 30 W au total	
1 × port USB-C PD 3.0/QC 3.0	100 W max., 5/9/12/15 V $\overline{=}$ 3 A, 20 V $\overline{=}$ 5 A	
1 × ports USB-C PD 3.1/QC 3.1	140 W max., 5/9/15 V $\overline{=}$ 3 A, 20/28 V $\overline{=}$ 5 A	
1 × port allume-cigare	120 W max., 12 V $\overline{=}$ 10 A	
2 × port DC5521	12 V $\overline{=}$ 5 A, 60 W max. chacun, 96 W au total (12 V $\overline{=}$ 8 A)	
Entrée CA		
Charge CA	US : 1 440 W max., 120 V, 50/60 Hz	
	JP : 1 440 W max., 100 V, 50/60 Hz	
	UE/Royaume-Uni/AU : 1 440 W max., 230 V, 50/60 Hz	
Entrée CA (dérivation)	US : 1 800 W max., 120 V, 50/60 Hz	
	JP : 1 500 W max., 100 V, 50/60 Hz	
	UE/Royaume-Uni/AU : 2 300 W max., 230 V, 50/60 Hz	
Entrée CC (XT60-F)	1 000 W max., 12 V à 60 V, 20 A max.	
Entrée CA + CC	2 000 W max.	
Communication	Wi-Fi (2,4 GHz)/Bluetooth (BLE5.0)	
Altitude de fonctionnement	≤ 2 000 m	
Indice de protection	IP20	
Alimentation sans coupure (UPS)		
Temps de basculement	10 ms	

Remarque : Le port allume-cigare et les ports DC5521 sont câblés en parallèle avec une sortie maximale totale de 10 A.

12. Dépannage et FAQ

Sur la page Code d'erreur, le **Er** et le code d'erreur apparaissent simultanément sur l'écran. Consultez l'application pour connaître les détails des erreurs et les solutions recommandées. Si le problème persiste, cessez immédiatement d'utiliser le produit et contactez le support BLUETTI pour obtenir de l'aide.

FAQ (Foire aux questions)

Q1 : Comment puis-je savoir si mes appareils fonctionneront avec ce produit ?

R : Maintenez la puissance totale en dessous de 1 800 W. Certains appareils équipés de moteurs ou de compresseurs peuvent démarrer à 2 - 4 fois leur puissance nominale, ce qui peut facilement surcharger l'Élite 320.

Q2 : Puis-je utiliser des panneaux solaires tiers pour charger ce produit ?

R : Oui, vous pouvez utiliser des panneaux solaires tiers avec une tension à vide entre 12 V et 60 V et des connecteurs MC4. Évitez de mélanger différents types de panneaux solaires.

Q3 : Peut-il se charger et se décharger en même temps ?

R : Oui, l'Élite 320 prend en charge la charge en dérivation.

Q4 : Pourquoi la puissance de charge est-elle souvent trop faible ?

R : Le BMS intégré ajuste la puissance de charge en fonction de la température de la batterie et de l'état de charge pour protéger la batterie et prolonger sa durée de vie.

Q5 : Comment calculer le temps de fonctionnement ?

R : Autonomie = Capacité de la batterie \times DoD $\times \eta \div$ (Charge + Auto-consommation de l'Élite 320)

Remarque : La profondeur de décharge (DoD) est de 95 %. η (rendement de l'onduleur) est supérieure à 92 %. L'autoconsommation de l'Élite 320 est d'environ 10 W.

Annexe

Mettre à jour le micrologiciel via l'application BLUETTI

Il est IMPORTANT de maintenir le micrologiciel à jour pour des performances optimales. Pour obtenir des instructions détaillées, reportez-vous au manuel d'utilisation dans l'application. Ce manuel utilise la mise à niveau du modèle Elite 200 V2 comme exemple.

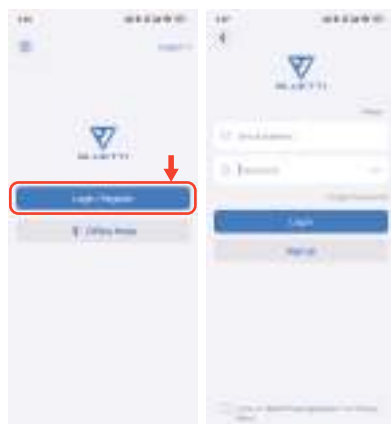
1. Télécharger l'application BLUETTI

Scannez le code QR ou recherchez « BLUETTI » dans l'App Store ou Google Play pour télécharger l'application.



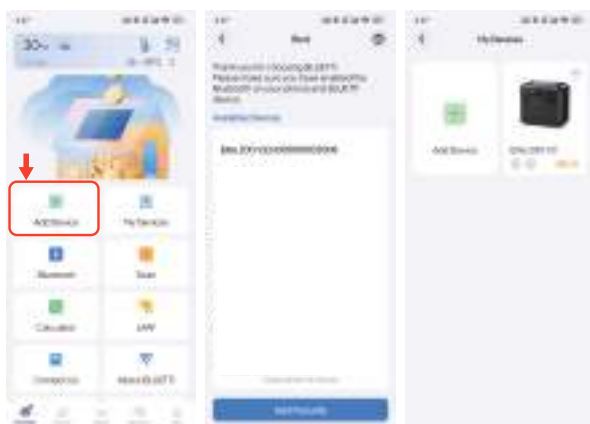
2. Se connecter ou s'inscrire

Connectez-vous avec un compte BLUETTI. Si vous n'avez pas de compte, créez-en un en suivant les instructions à l'écran.



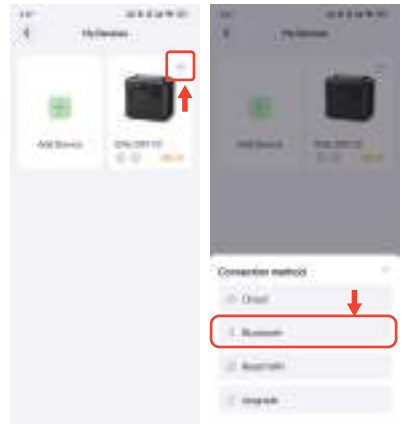
3. Lier l'appareil

- Appuyez sur Ajouter un appareil directement ou accédez à Mes appareils > Ajouter un appareil pour démarrer le processus.
- Sélectionnez l'appareil dans la liste des appareils disponibles ou choisissez Ajouter manuellement et saisissez le numéro de série de l'appareil.
- Vous pouvez également appuyer sur Scanner sur la page d'accueil ou sur la page Ajouter un appareil pour effectuer une liaison via un code QR.



4. Se connecter via Bluetooth

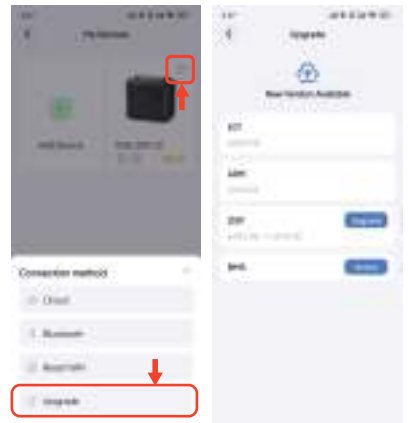
Sur la page Mes appareils, appuyez sur l'appareil et sélectionnez Bluetooth comme méthode de connexion.



5. Rechercher les mises à jour du micrologiciel

Appuyez sur Mettre à niveau pour accéder à la page Mettre à niveau.

L'application vérifie alors la dernière version du micrologiciel disponible pour l'appareil.



6. Téléchargez et installez la mise à jour

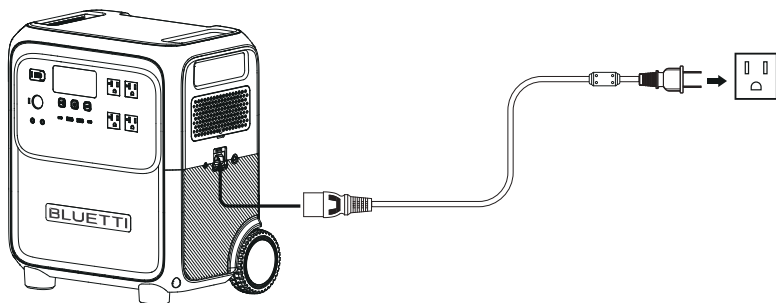
Si une nouvelle mise à jour du micrologiciel est disponible, appuyez sur Mettre à niveau et suivez les instructions à l'écran.

Remarques :

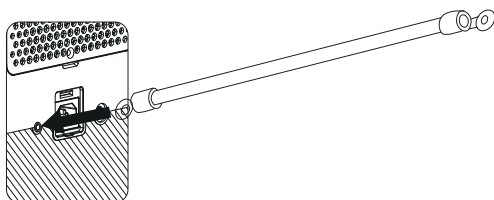
- Assurez-vous que l'appareil reste sous tension et connecté pendant la mise à jour.
- Gardez votre téléphone et l'appareil proches l'un de l'autre (portée recommandée : 5 m).
- Ne quittez pas l'application avant d'avoir terminé.

Directives de mise à la terre

Utilisez la borne de mise à la terre uniquement lorsque le produit est connecté au réseau électrique domestique à l'aide d'un câble à 2 broches, ou si la mise à la terre de la prise murale est inefficace et que l'appareil connecté dispose d'un boîtier métallique.



Utilisez un câble avec des bornes OT pour la mise à la terre. Connectez une extrémité à la borne de mise à la terre avec une vis de mise à la terre et l'autre extrémité à la prise murale ou à la terre du boîtier de distribution domestique.



Need Help? We're here for you!

☎ +1 909-570-0909

Mon–Sat, 06:00–17:00 (PDT)

✉ service@bluettipower.com



@BLUETTI Official



@bluetti_inc



@bluetti.inc



@bluetti.inc

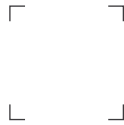
Visit Us

BLUETTI Power Inc.

6185 S Valley View Blvd, Ste D, Las Vegas, NV 89118, US



BLUETTI



Certificate

Inspector: _____

QC: _____

Always Share Excellence

P/N: 17.0303.1051-00A0